

D

C

B

A



MARK	DESCRIPTION	DATE	APPR

NOTES:

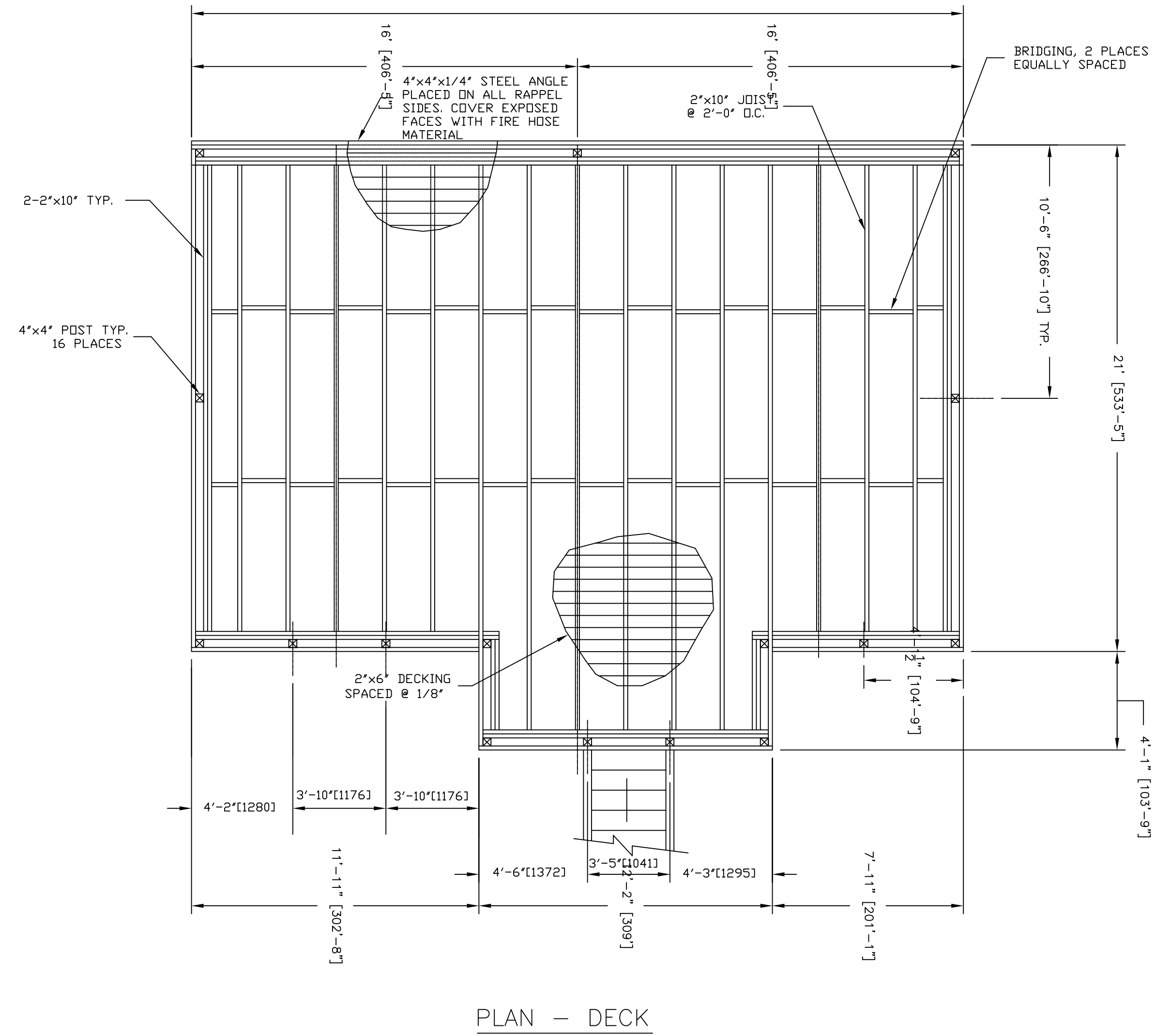
- 1. 2"x12"[51x305] VERTICAL X-BRACE PLACED ON CENTER SERIES OF POLES ONLY.
- 2. VERTICAL CROSS-BRACING TO BE PLACED ON OPPOSITE SIDES OF POLES AND THEN THRU BOLTED TO THE POLES.
- 3. POLES SHALL HAVE A MINIMUM CIRCUMFERENCE OF 31" AT TOP. MINIMUM CIRCUMFERENCE TAKEN 6" FROM BUTT=50.5"
- 4. BOLT HOLE DIAMETERS SHALL BE 1/16" LARGER THAN THRU BOLT DIAMETERS.
- 5. ALL NUTS, BOLTS, AND STEEL PLATES SHALL BE HOT DIPPED GALVANIZED.
- 6. PLACE ALL DECKING BARK SIDE UP.

DEPARTMENT OF THE ARMY OFFICE OF THE CHIEF OF ENGINEERS WASHINGTON, D.C. AR 415-16	DRAWN BY: J. Hernandez CHECKED BY: S. Roberts SUBMITTED BY: APPROVED BY: C.S. Boyd PLOT SCALE: 1" = 1' SIZE: A3(34" x 44")	CREATION DATE: 2018/04/08 SOLICITATION NO.: CONTRACT NO.: FILE NUMBER: PLOT DATE: FILE NAME: 2018.rvt
---	--	--

CONTINGENCY STANDARD DESIGNS
 ARMY FACILITIES COMPONENTS SYSTEM
 TRAINING SITE FACILITIES
 RAPPEL TOWER
 GENERAL NOTES
 RAPPEL TOWER

SHEET IDENTIFICATION
G-0XX
 SHEET X OF X

1 2 3 4 5
D
C
B
A



NOTES:

1. 2"x12"[51x305] VERTICAL X-BRACE PLACED ON CENTER SERIES OF POLES ONLY.
2. VERTICAL CROSS-BRACING TO BE PLACED ON OPPOSITE SIDES OF POLES AND THEN THRU BOLTED TO THE POLES.
3. POLES SHALL HAVE A MINIMUM CIRCUMFERENCE OF 31" AT TOP. MINIMUM CIRCUMFERENCE TAKEN 6" FROM BUTT=50.5"
4. BOLT HOLE DIAMETERS SHALL BE 1/16" LARGER THAN THRU BOLT DIAMETERS.
5. ALL NUTS, BOLTS, AND STEEL PLATES SHALL BE HOT DIPPED GALVANIZED.
6. PLACE ALL DECKING BARK SIDE UP.



DATE	APPR.	MARK	DESCRIPTION

DEPARTMENT OF THE ARMY OFFICE OF THE CHIEF OF ENGINEERS WASHINGTON, D.C. AR 415-16	CREATION DATE: 2009/04/08	SOLICITATION NO.: -	CONTRACT NO.: -
DRAWN BY: J. Hernandez	CHECKED BY: S. Roberts	APPROVED BY: C.S. Boyd	FILE NUMBER: -
SUBMITTED BY: -	PLOT SCALE: 3/16" = 1'-0"	PLOT DATE: -	FILE NAME: 2651-1028
SIZE: 30x40	SCALE: 1/8" = 1'-0"	DATE: -	FILE NAME: 2651-1028

CONTINGENCY STANDARD DESIGNS
 ARMY FACILITIES COMPONENT'S SYSTEM
 TRAINING FACILITIES
 RAPPEL TOWER
 PLAN-DECK; ELEVATIONS & DETAILS

1

2

3

4

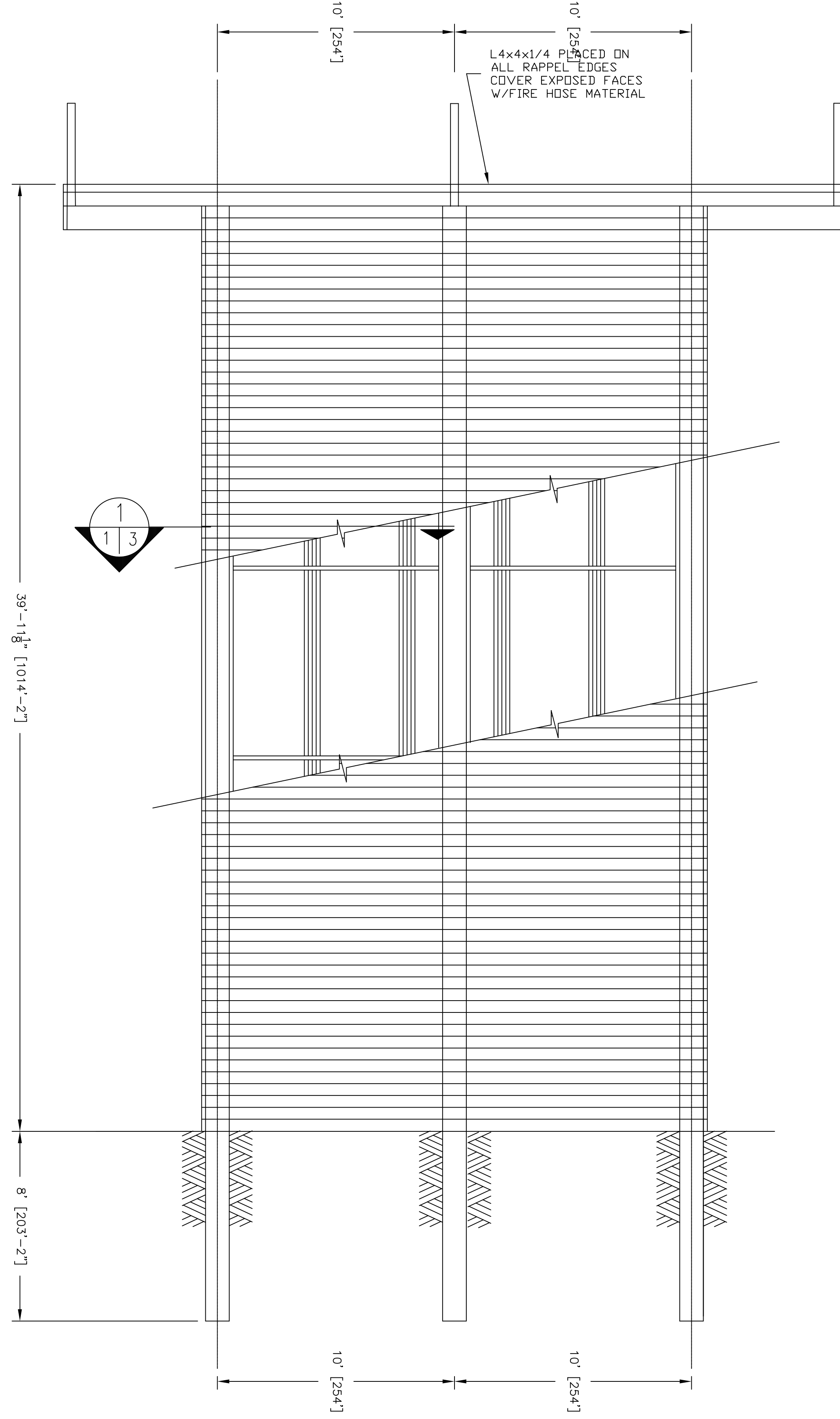
5

D

C

B

A



FRONT ELEVATION



MARK	DESCRIPTION	DATE	APPR.	MARK	DESCRIPTION	DATE	APPR.

DEPARTMENT OF THE ARMY OFFICE OF THE CHIEF OF ENGINEERS WASHINGTON, D.C. AR 415-16	DRAWN BY: J. Hernandez	CHECKED BY: S. Roberts	APPROVED BY: C.S. Boyd	CREATION DATE: 2018/04/08	SOLICITATION NO.:	CONTRACT NO.:	FILE NUMBER:
	FILE NAME: AFCS1.dwg	FILE NAME: AFCS1.dwg	FILE NAME: AFCS1.dwg	FILE NAME: AFCS1.dwg	FILE NAME: AFCS1.dwg	FILE NAME: AFCS1.dwg	FILE NAME: AFCS1.dwg
	PLOT SCALE: 1/8" = 1'-0"	PLOT DATE: 7/1/18	PLOT DATE: 7/1/18	PLOT DATE: 7/1/18	PLOT DATE: 7/1/18	PLOT DATE: 7/1/18	PLOT DATE: 7/1/18

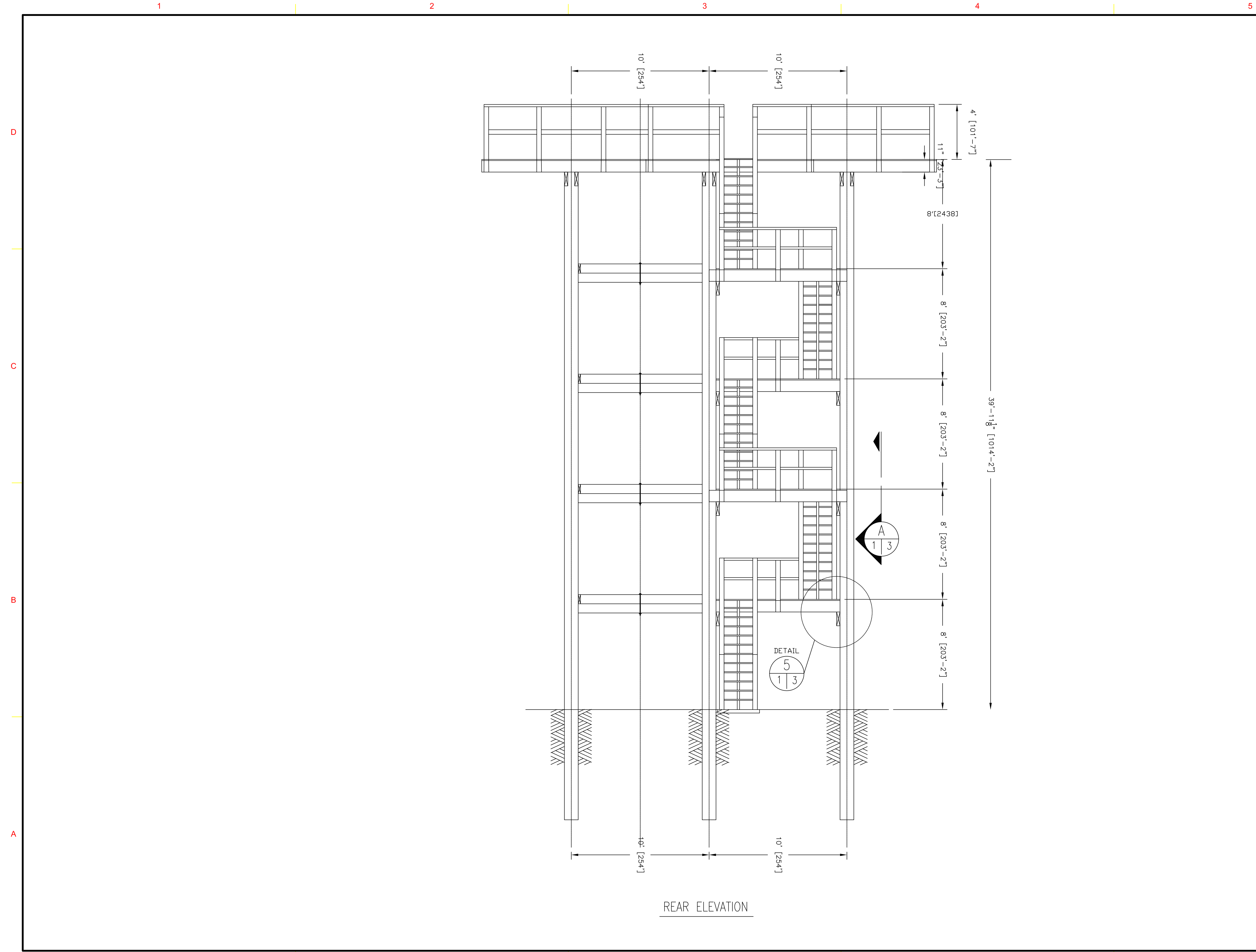
CONTINGENCY STANDARD DESIGNS
ARMY FACILITIES COMPONENTS SYSTEM
TRAINING FACILITIES
WOOD, RAPPTEL TOWER
FRONT ELEVATION AND DETAILS

SHEET IDENTIFICATION
C-5XX
SHEET X OF X

MARK	DESCRIPTION	DATE	APPR

DEPARTMENT OF THE ARMY OFFICE OF THE CHIEF OF ENGINEERS WASHINGTON, D.C. AR 415-16	CREATION DATE: 2018/04/08	APPROVED BY: C.S. Boyd	SOLICITATION NO.:	CONTRACT NO.:
FILE NAME: R501.rvt	FILE NUMBER:	PLOT DATE:	PLOT SCALE:	PLOT NAME:
FILE NAME: R501.rvt	FILE NUMBER:	PLOT DATE:	PLOT SCALE:	PLOT NAME:

CONTINGENCY STANDARD DESIGNS
ARMY FACILITIES COMPONENTS SYSTEM
TRAINING FACILITIES
WOOD, RAPPET TOWER
REAR ELEVATION AND DETAILS

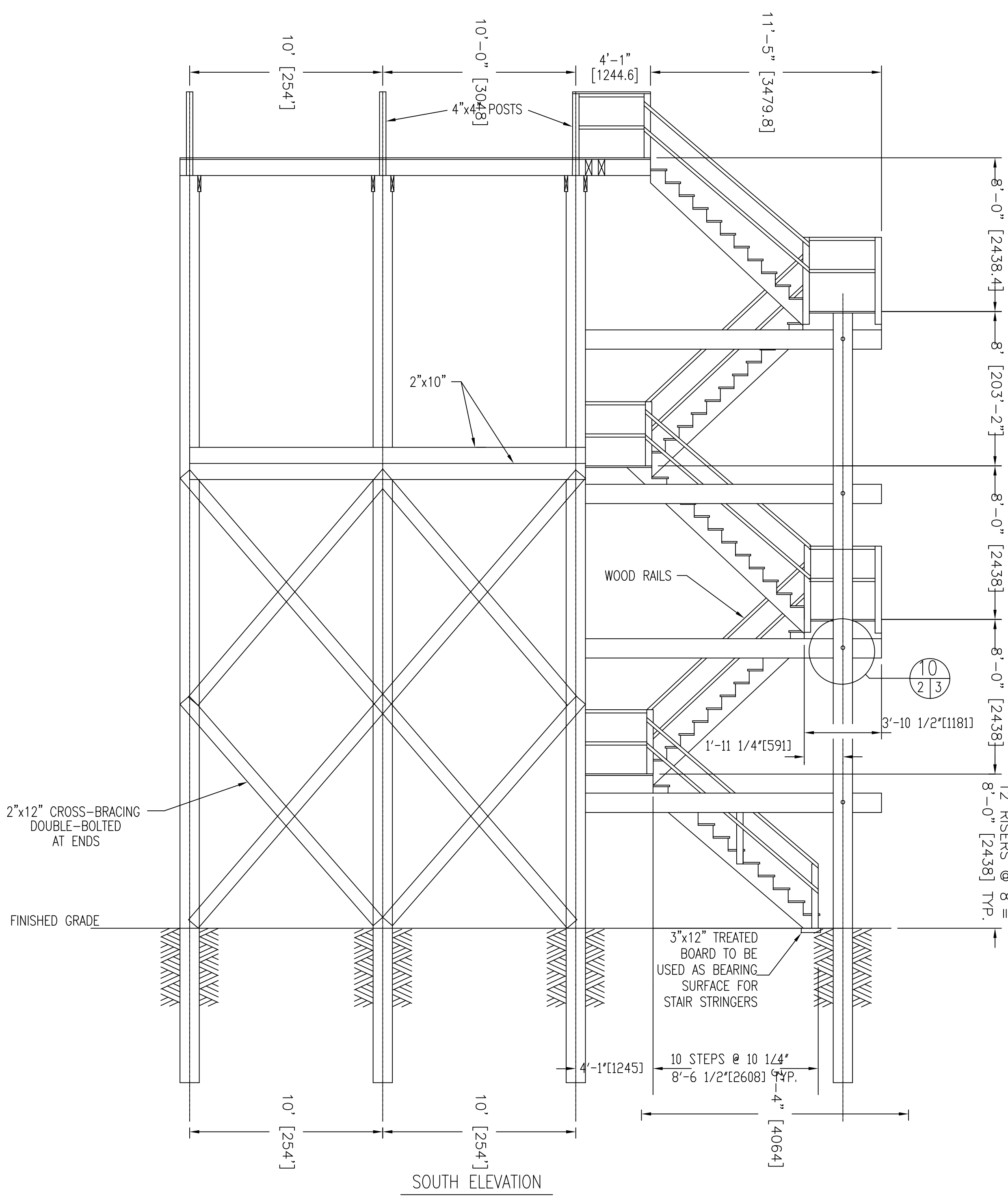


MARK	DESCRIPTION	DATE	APPR.	MARK	DESCRIPTION	DATE	APPR.

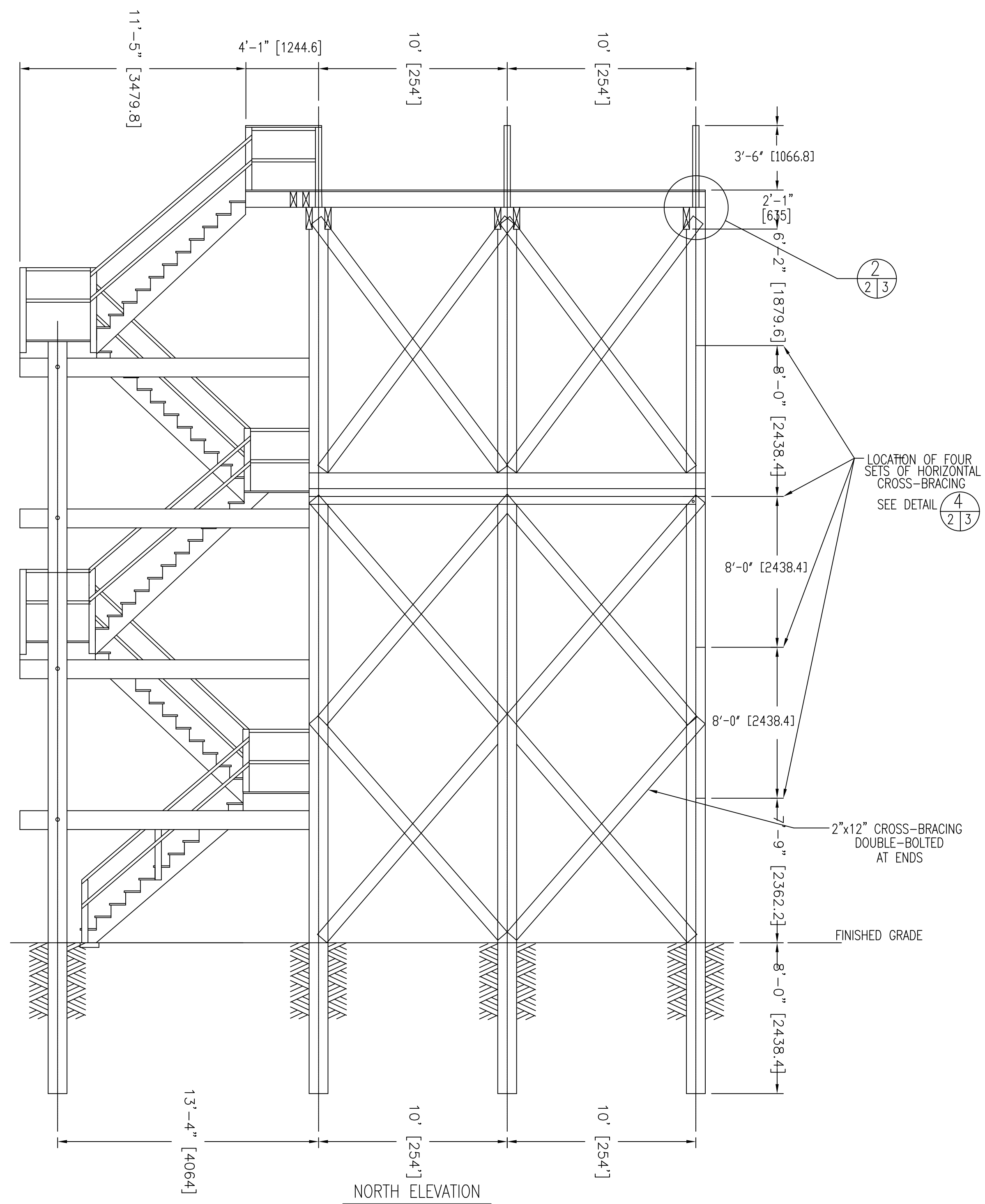
DEPARTMENT OF THE ARMY OFFICE OF THE CHIEF OF ENGINEERS WASHINGTON, D.C. AV 15-16 15-16	DRAWN BY: J. Hernandez CHECKED BY: S. Roberts SUBMITTED BY: S. Roberts FILE NAME: 15011003 PLOT SCALE: 3/16" = 1'-0" PLOT DATE: 10/20/16 FILE NUMBER: 15011003	CREATION DATE: 2016/04/08 SOLICITATION NO.: CONTRACT NO.: FILE NUMBER:
--	--	---

CONTINGENCY STANDARD DESIGNS
ARMY FACILITIES COMPONENTS SYSTEM
TRAINING FACILITIES
WOOD RAPPET TOWER
SOUTH ELEVATION AND DETAILS

SHEET IDENTIFICATION
C-5XX
SHEET X OF X



SOUTH ELEVATION

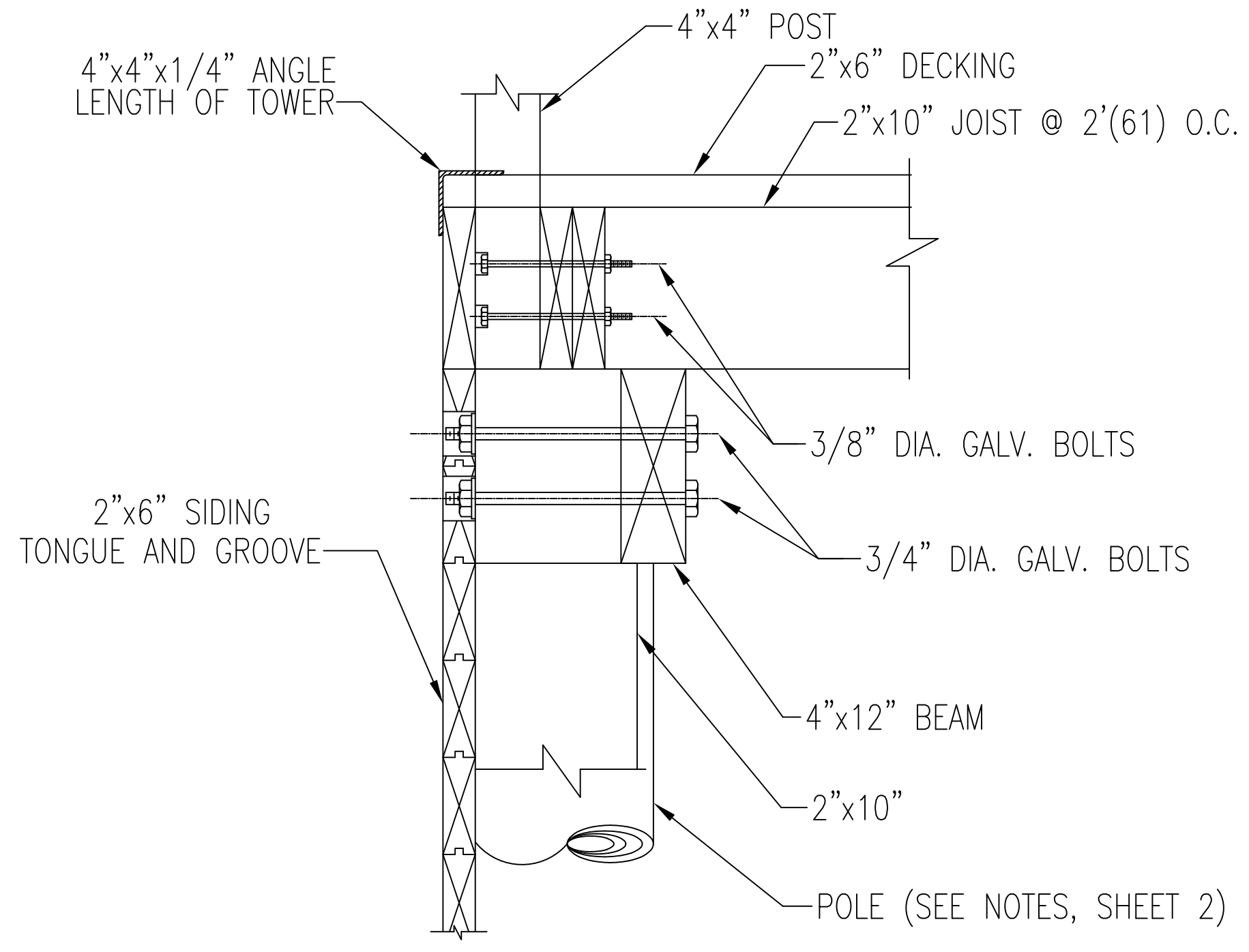


MARK	DATE	APPR.	DESCRIPTION

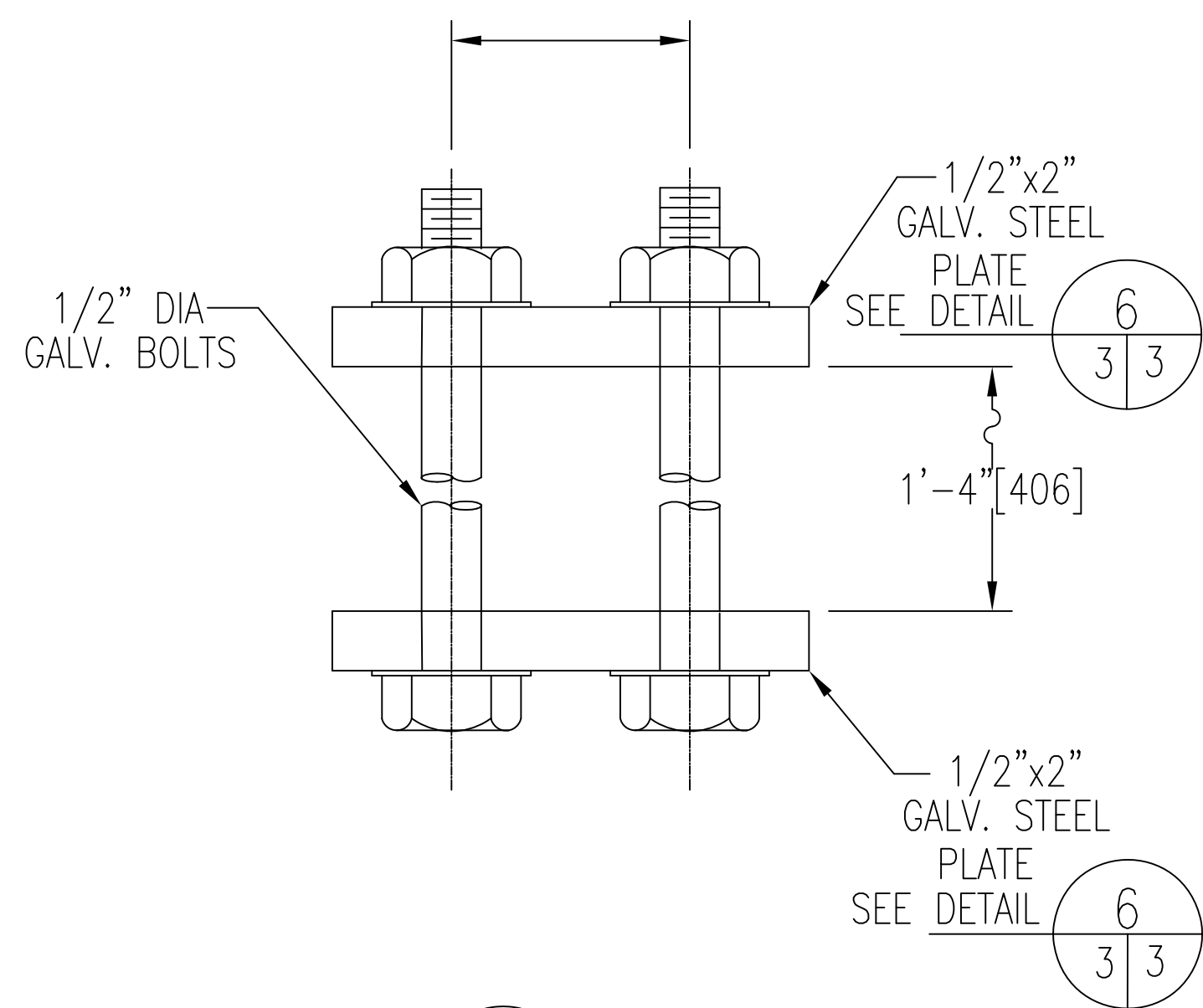
DRAWN BY: J. Hernandez 2018/04/08	CHECKED BY: S. Roberts	APPROVED BY: C.S. Boyd	CREATION DATE: 2018/04/08	SOLICITATION NO.:	CONTRACT NO.:	FILE NUMBER:
DEPARTMENT OF THE ARMY OFFICE OF THE CHIEF OF ENGINEERS WASHINGTON, D.C. AR 415-16	PLOT SCALE: 3/16" = 1'-0" 1/8" = 1'-0"	SUBMITTED BY:	PLOT DATE:	FILE NAME:	PLOT NO:	PLOT DATE:

CONTINGENCY STANDARD DESIGNS
 ARMY FACILITIES COMPONENTS SYSTEM
 TRAINING FACILITIES
 WOOD, RAPPEL TOWER
 NORTH ELEVATION AND DETAILS

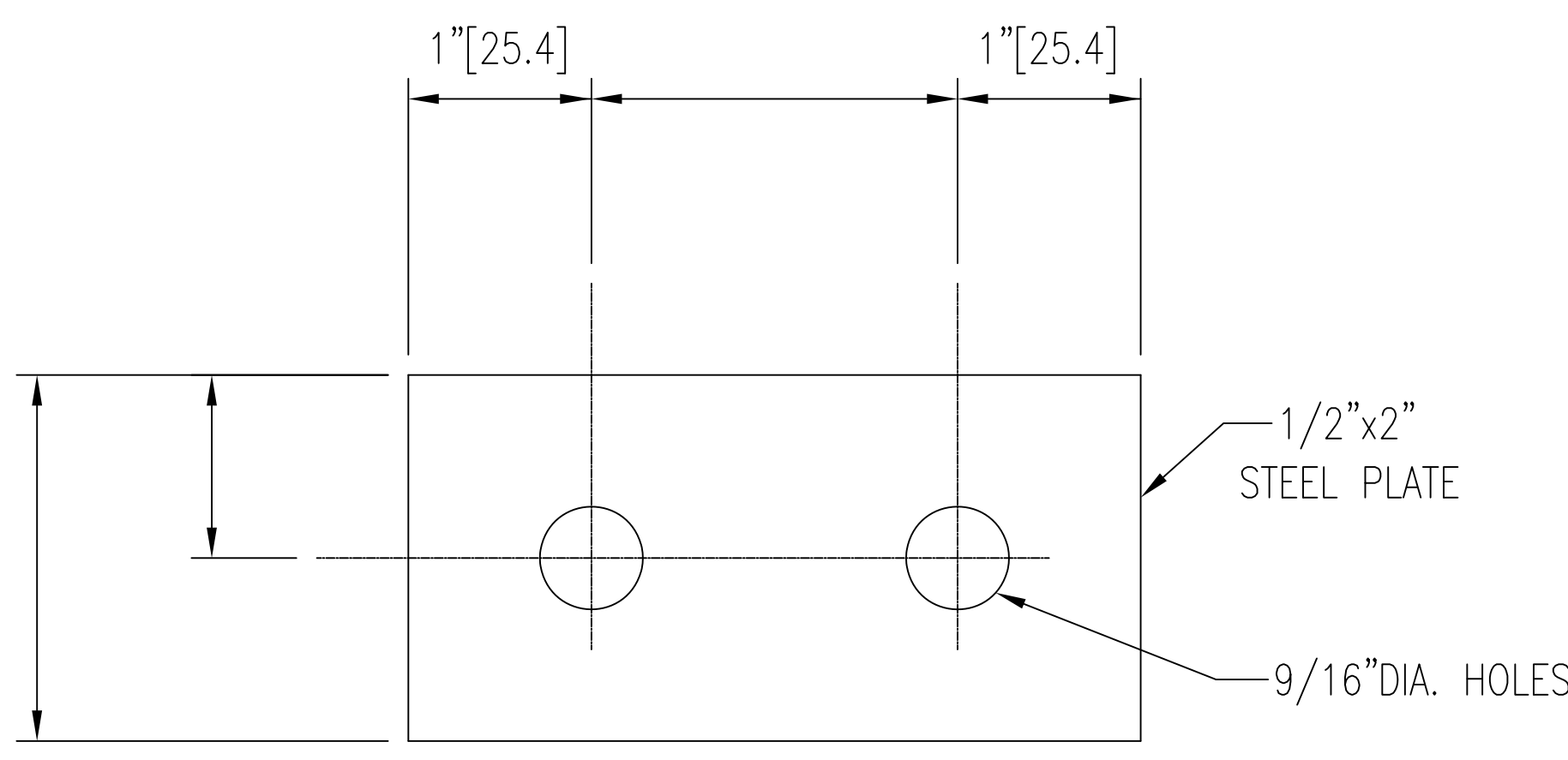
SHEET IDENTIFICATION
C-5XX
 SHEET X OF X



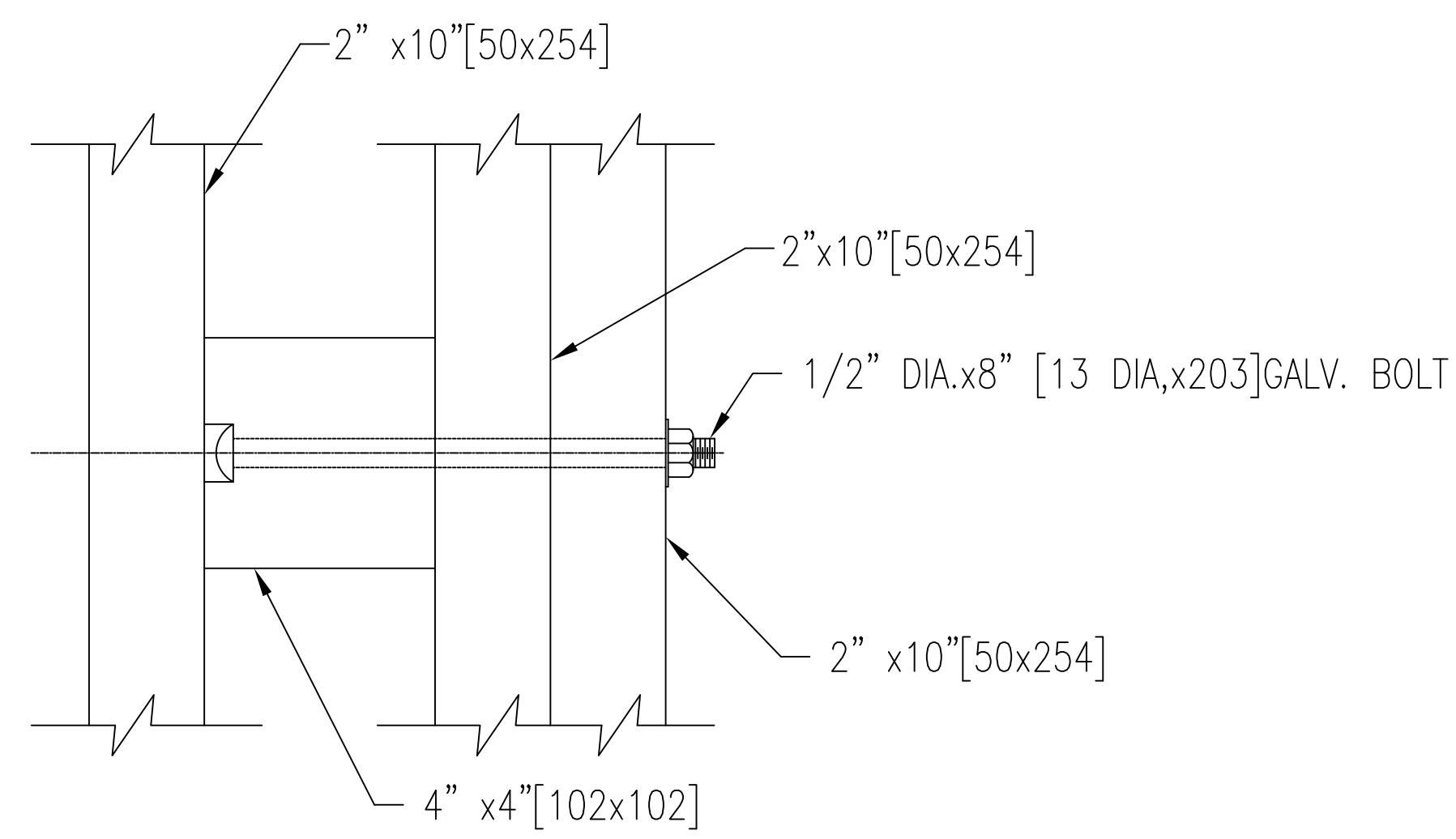
DETAIL 2 FRONT WALL (OPP. HAND)



DETAIL 3 YOKE-CLAMP DETAIL



DETAIL 6 TYPICAL CLAMP PLATE



TYPICAL HANDRAIL SUPPORT

DATE	APPR.	MARK	DESCRIPTION

DEPARTMENT OF THE ARMY OFFICE OF THE CHIEF OF ENGINEERS WASHINGTON, D.C. AR 415-16	DRAWN BY: J. Hernandez CHECKED BY: S. Roberts APPROVED BY: C.S. Boyd SUBMITTED BY: FILE NAME: R010101 PLOT SCALE: 1/8" = 1'-0" PLOT DATE: FILE NUMBER: CONTRACT NO.: SOLICITATION NO.: CREATION DATE: 2018/04/08
---	--

CONTINGENCY STANDARD DESIGNS
ARMY FACILITIES COMPONENTS SYSTEM
TRAINING FACILITIES
WOOD, RAPPEL TOWER
DETAILS

1

2

3

4

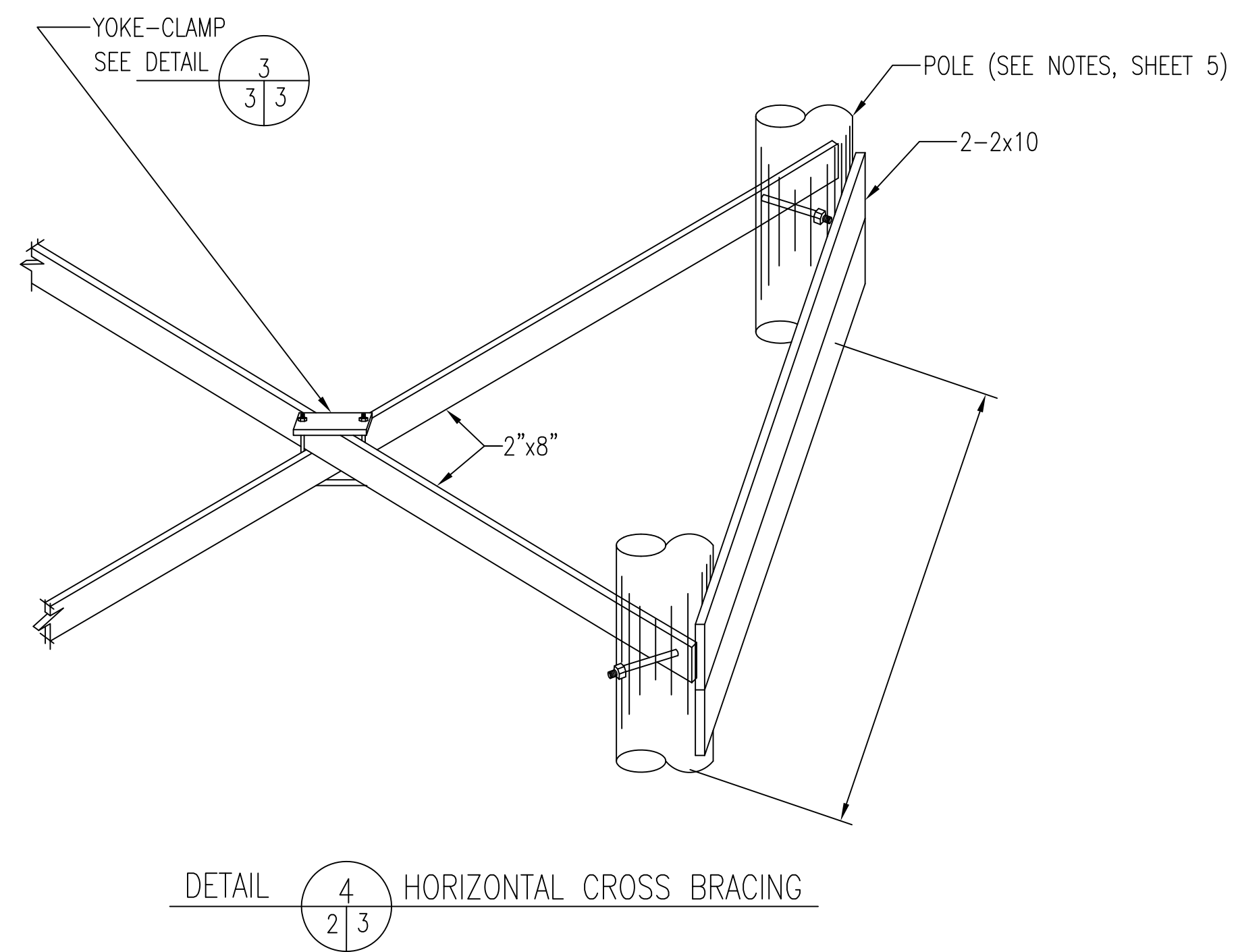
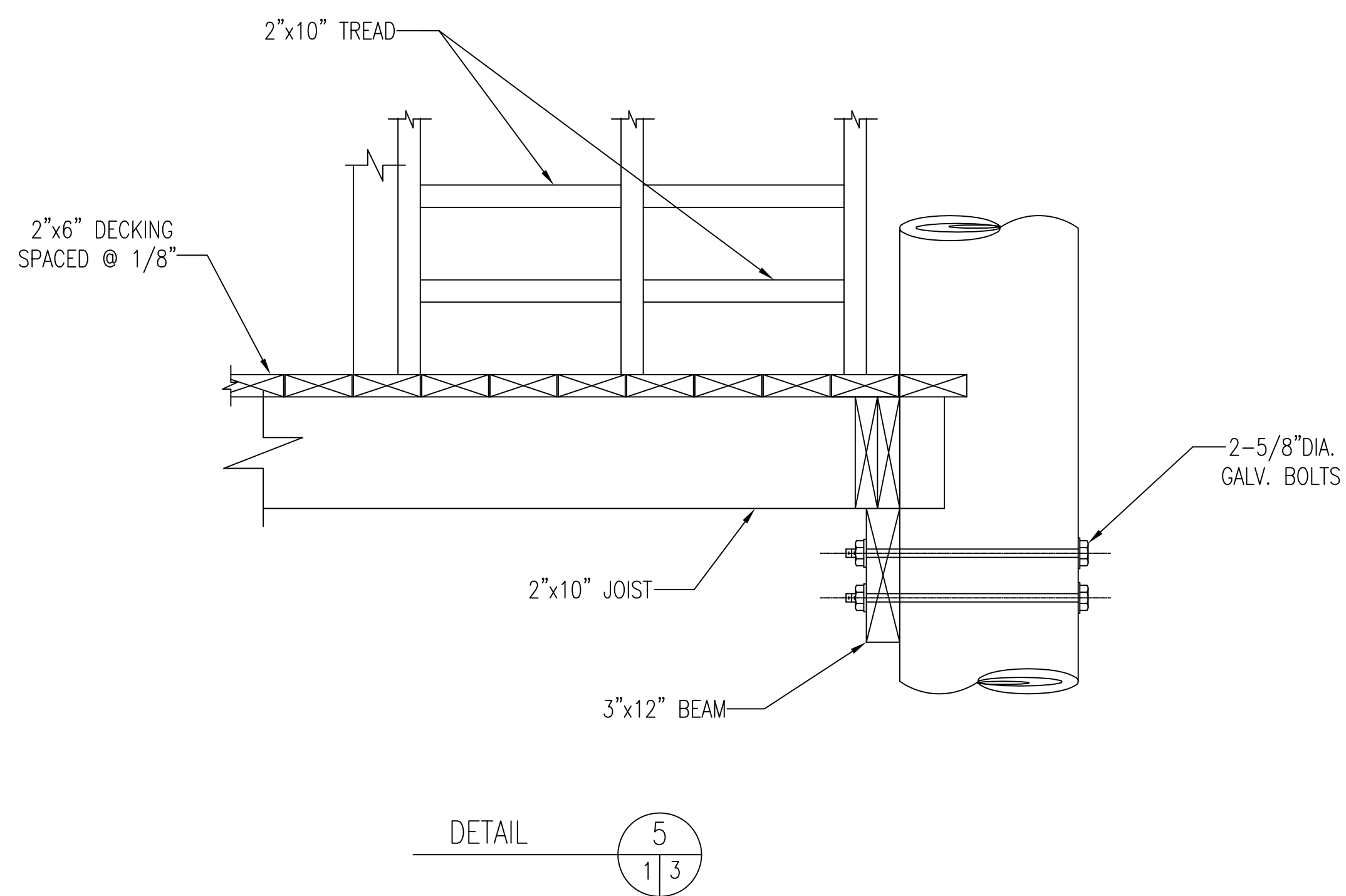
5

D

C

B

A



MARK	DESCRIPTION	DATE	APPR

DEPARTMENT OF THE ARMY OFFICE OF THE CHIEF OF ENGINEERS WASHINGTON, D.C. AR 415-16	CREATION DATE: 2016/04/08	SOLICITATION NO.:	CONTRACT NO.:	FILE NUMBER:
	DRAWN BY: J. Hernandez	CHECKED BY: S. Roberts	APPROVED BY: C.S. Boyd	FILE NAME: 20161011
	SUBMITTED BY:	PLLOT DATE:	PLLOT SCALE:	SIZE:
			3/16" = 1/8"	11x17"

CONTINGENCY STANDARD DESIGNS
ARMY FACILITIES COMPONENTS SYSTEM
TRAINING FACILITIES
WOOD, RAPPEL TOWER
DETAILS

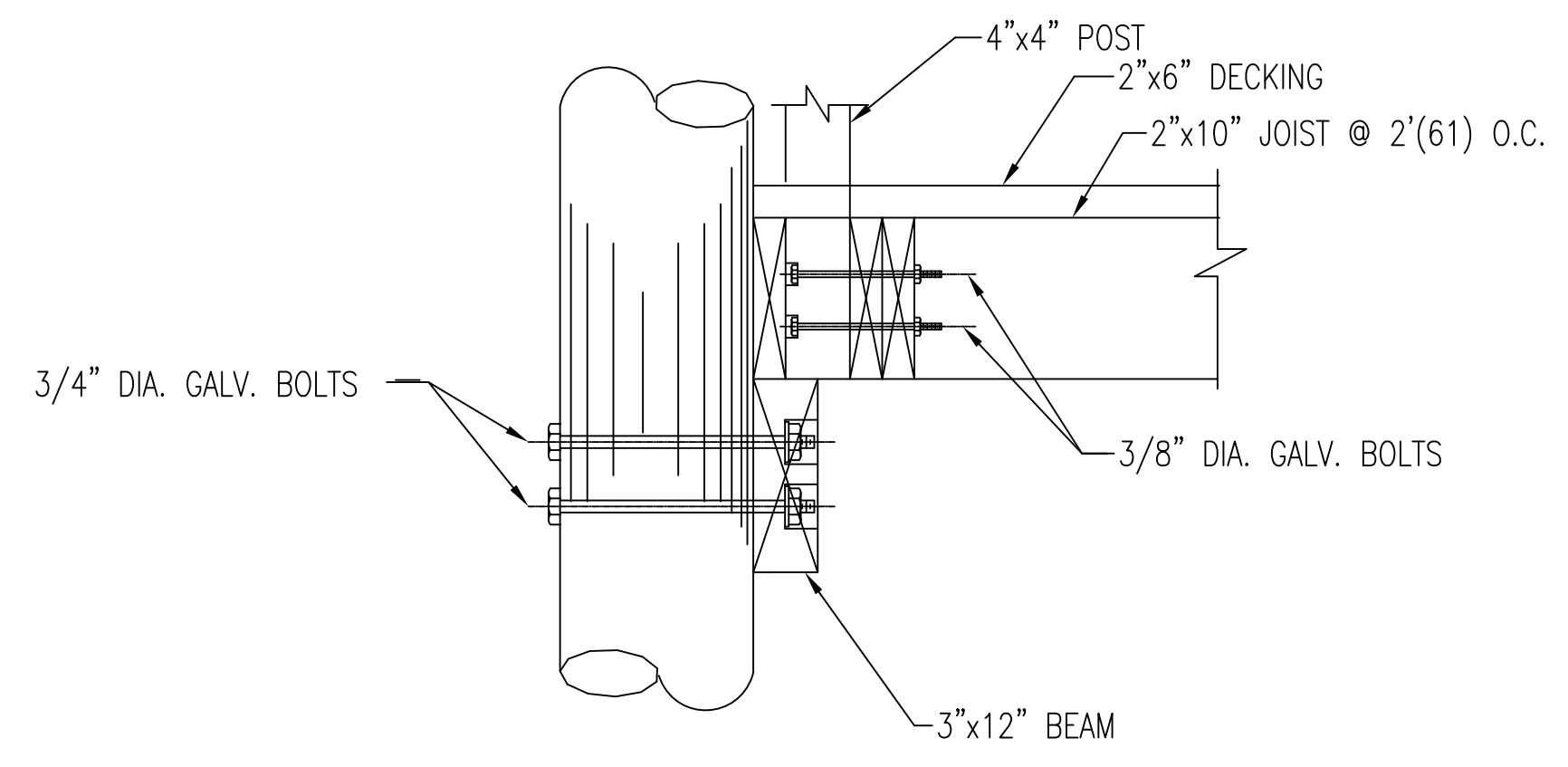
SHEET IDENTIFICATION
C-5XX
SHEET X OF X

D

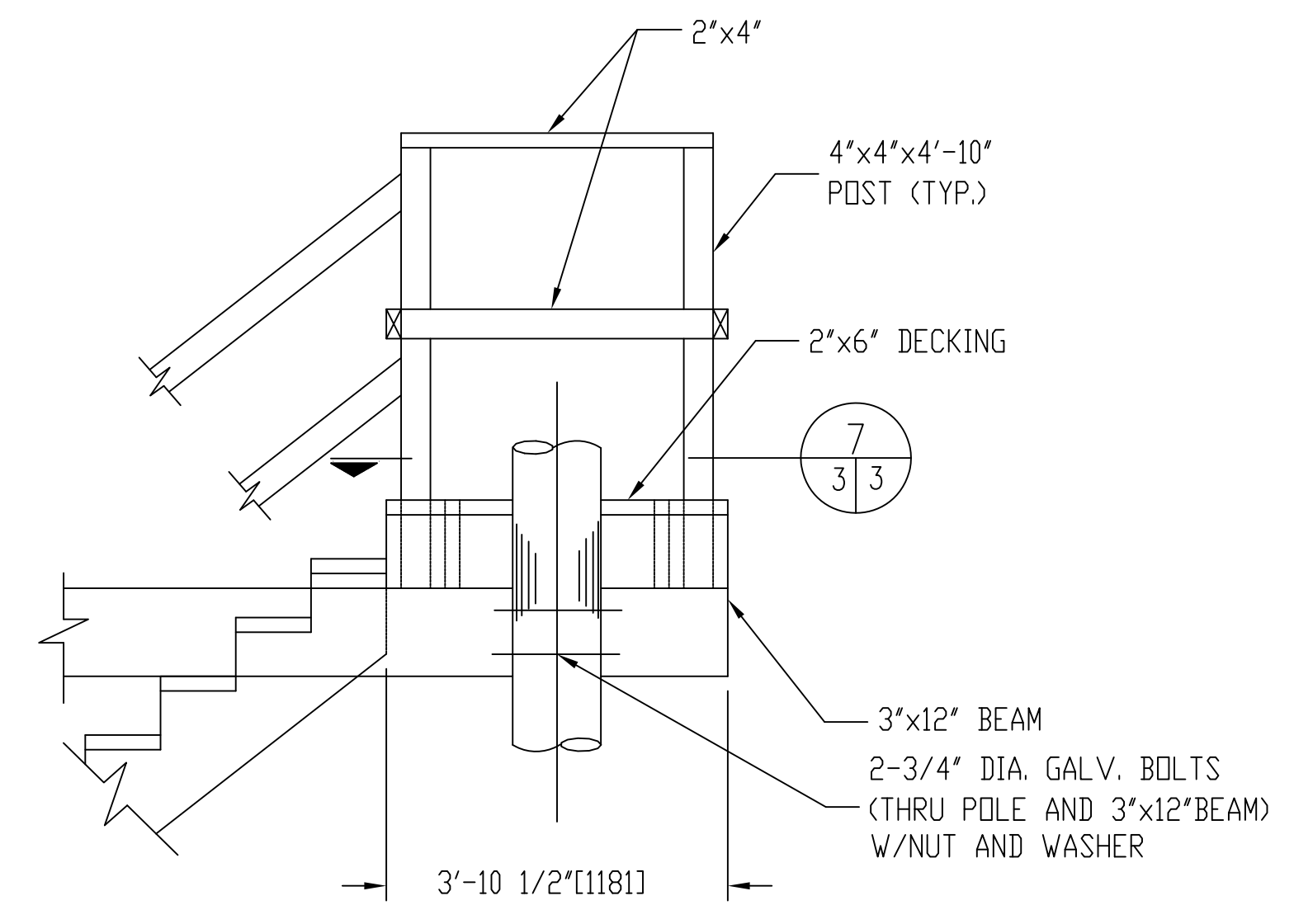
C

B

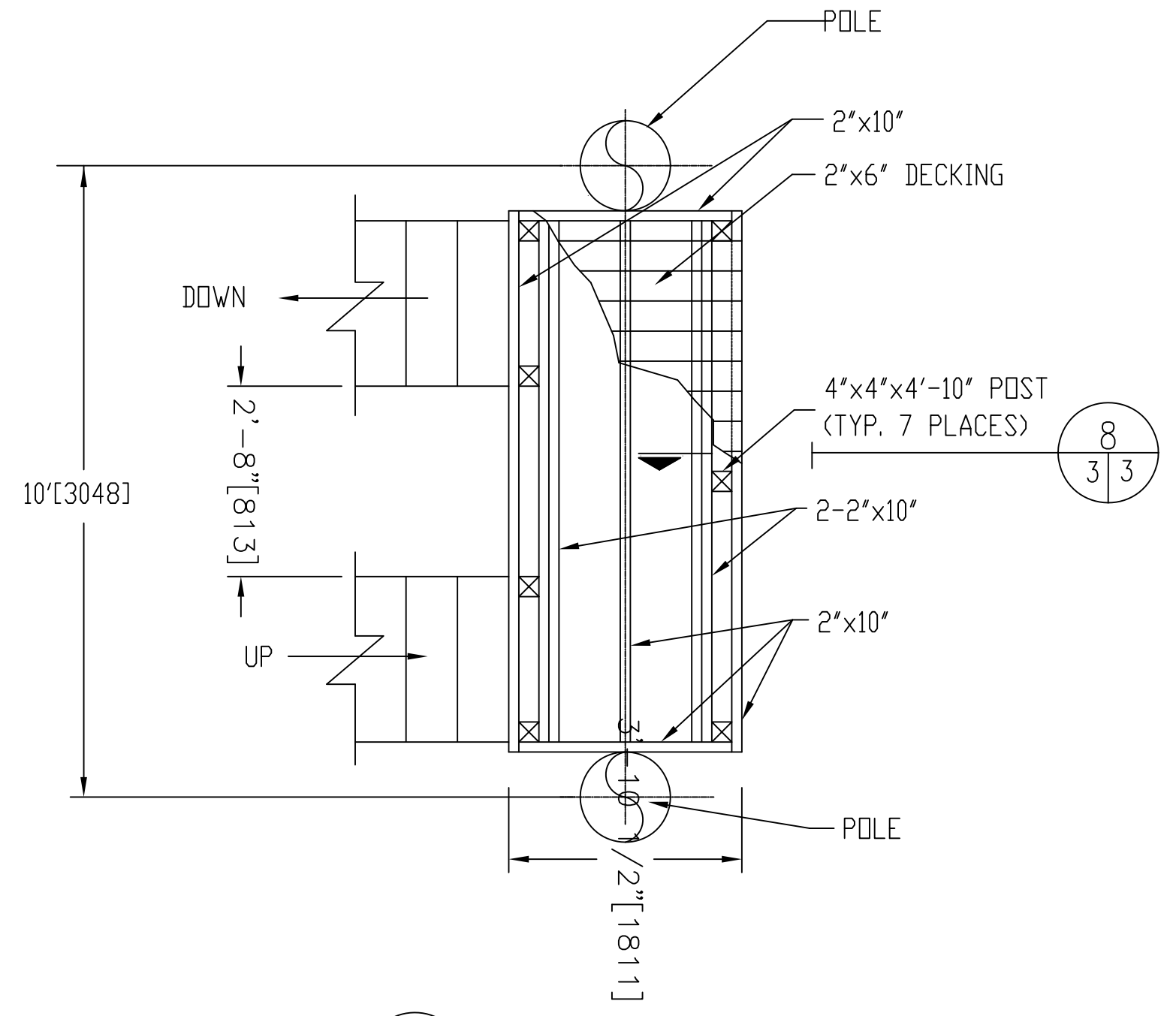
A



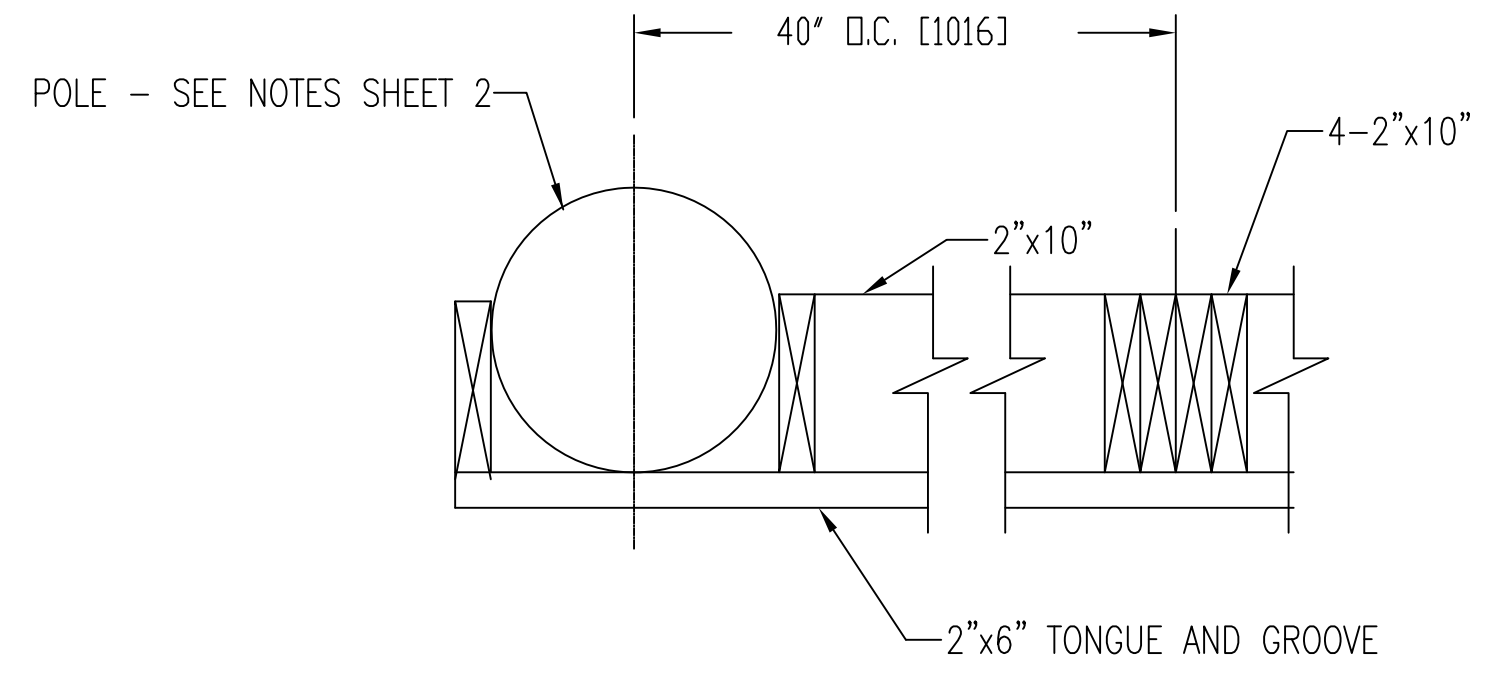
SECTION 8
3 3 POST AT STAIR LANDING



VIEW A
1 3 STAIR LANDING



SECTION 7
3 3 STAIR LANDING



SECTION 1
1 3 TYP. WALL BRACE



MARK	DATE	APPR.	DESCRIPTION

DRAWN BY: J. Hernandez 2018/04/08	CHECKED BY: S. Roberts	APPROVED BY: C.S. Boyd	SOLICITATION NO.:	CONTRACT NO.:	FILE NUMBER:
SUBMITTED BY:	PLOT DATE:	FILE NAME:	PLOT SCALE:	SIZE:	PLOT SIZE:
DEPARTMENT OF THE ARMY OFFICE OF THE CHIEF OF ENGINEERS WASHINGTON, D.C. AR 415-16					

CONTINGENCY STANDARD DESIGNS
 ARMY FACILITIES COMPONENTS SYSTEM
 TRAINING FACILITIES
 RAPPEL TOWER
 SECTIONS AND DETAILS